



US006577788B1

(12) **United States Patent**
Eiselt et al.

(10) **Patent No.:** US 6,577,788 B1
(45) **Date of Patent:** Jun. 10, 2003

(54) **GAIN EQUALIZATION SYSTEM AND METHOD**

(75) Inventors: **Michael H. Eiselt**, Middletown, NJ (US); **Mark Shtaif**, Fort Lee, NJ (US)

(73) Assignee: **Celion Networks, Inc.**, Richardson, TX (US)

(*) Notice: Subject to any disclaimer, the term of this patent is extended or adjusted under 35 U.S.C. 154(b) by 19 days.

(21) Appl. No.: **10/023,579**

(22) Filed: **Dec. 14, 2001**

(51) **Int. Cl.**⁷ **G02B 6/28**; H04J 14/02

(52) **U.S. Cl.** **385/24**; 359/124; 359/127

(58) **Field of Search** 385/24; 359/124, 359/127

(56) **References Cited**

U.S. PATENT DOCUMENTS

5,926,590 A	*	7/1999	Mao	385/24
6,307,691 B1	*	10/2001	Goossen	359/885
6,337,753 B1	*	1/2002	Goossen	359/124
6,411,417 B1	*	6/2002	Roberts et al.	359/161
2002/0060838 A1	*	5/2002	Brindel et al.	359/337

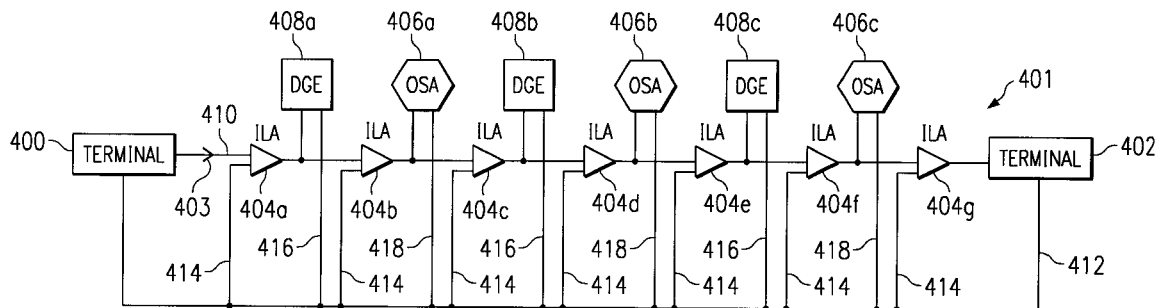
* cited by examiner

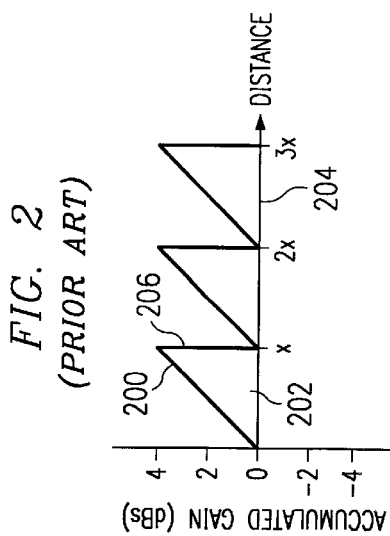
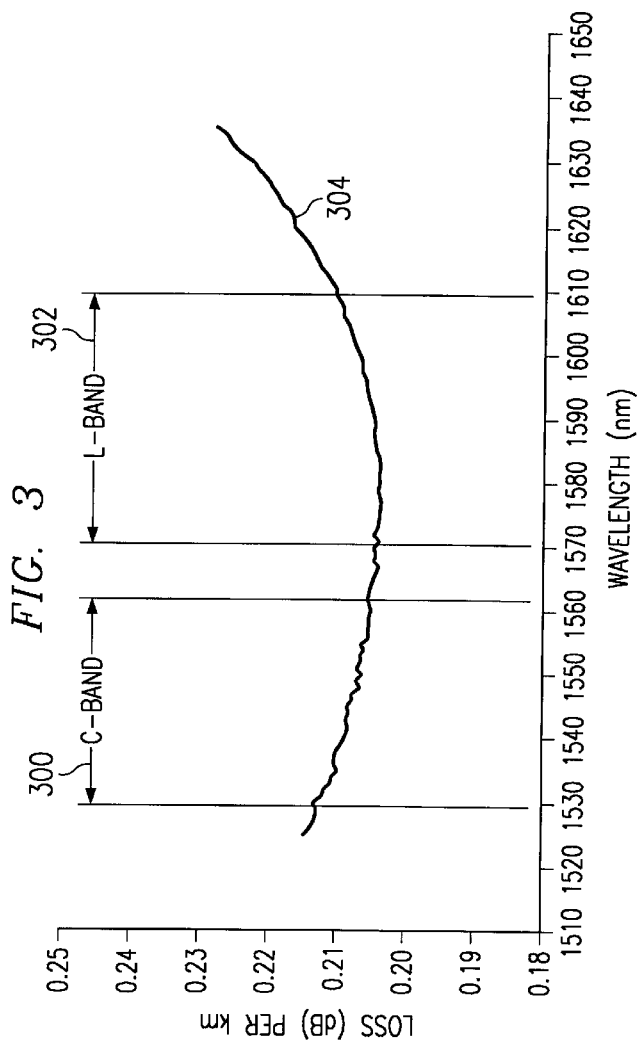
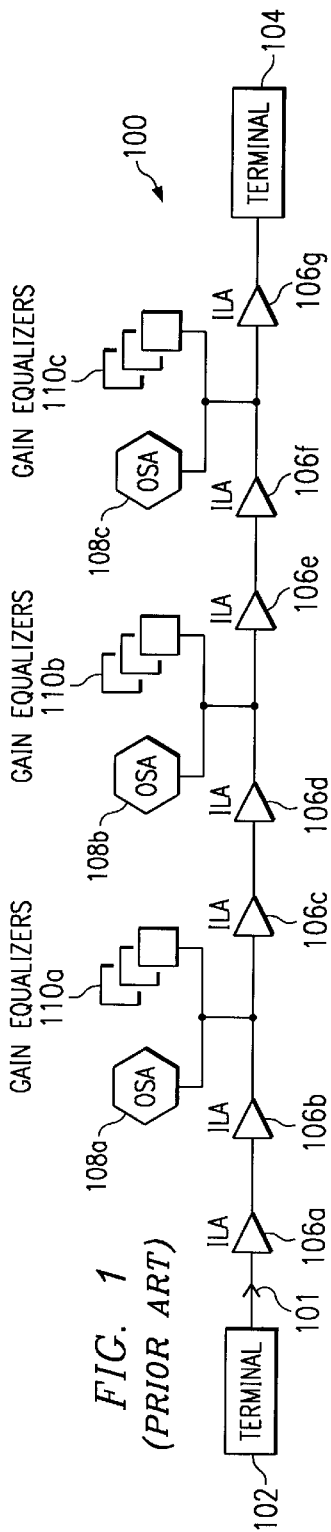
Primary Examiner—Brian Healy
Assistant Examiner—Tina M Lin

(57) **ABSTRACT**

A power equalization system and method for use in an optical transmission system are provided. The power equalization system includes an optical line including at least one transmission channel and a management line. The transmission system further includes a plurality of amplifiers, a plurality of Optical spectrum analyzers and a plurality of equalizers. The plurality of amplifiers are coupled to the optical line, spaced periodically throughout the optical transmission system. As information is sent through the optical transmission system, the plurality of amplifiers boost the power of each channel of the optical signal. A plurality of optical spectrum analyzers are also coupled to the optical line and are spaced periodically throughout the optical transmission system and are co-located with a first portion of the amplifiers coupled to the optical line. A plurality of equalizers are also coupled to the optical line and are spaced periodically throughout the optical transmission system and equalize the power on each channel of the optical line. The plurality of equalizers are co-located with a second portion of the plurality of amplifiers and at least one of the plurality of Optical spectrum analyzers is not co-located with one of the plurality of equalizers. As optical information is transmitted over the optical transmission system, the Optical spectrum analyzers provide analysis data via the management line to the non co-located equalizers for use by the equalizers in equalizing the power of the channels of the optical line at that point. The analysis data generated by the Optical spectrum analyzer identifies the analysis data at the point of the Optical spectrum analyzer which is not co-located with the equalizer.

22 Claims, 3 Drawing Sheets





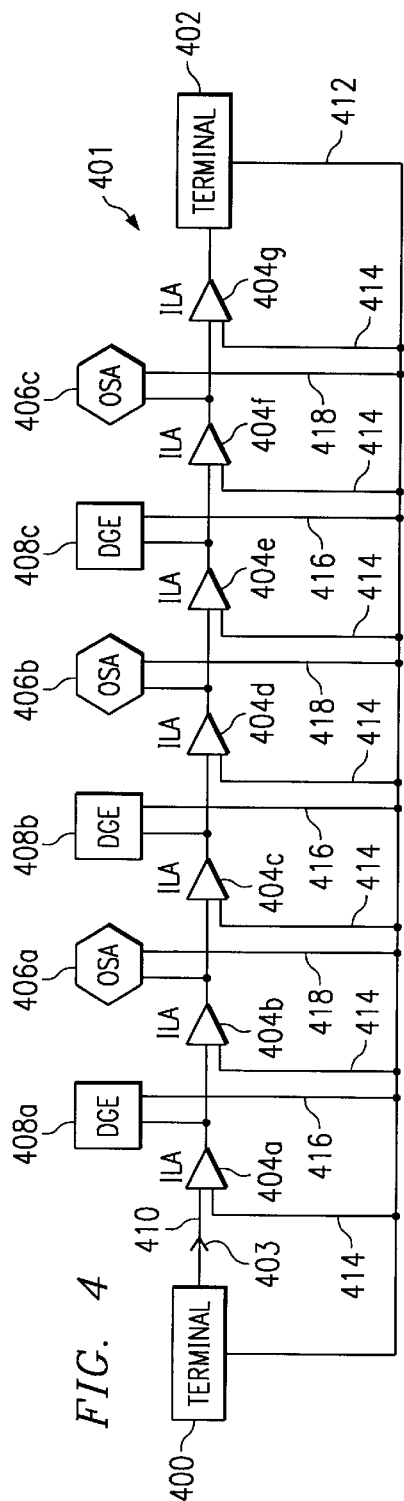


FIG. 4

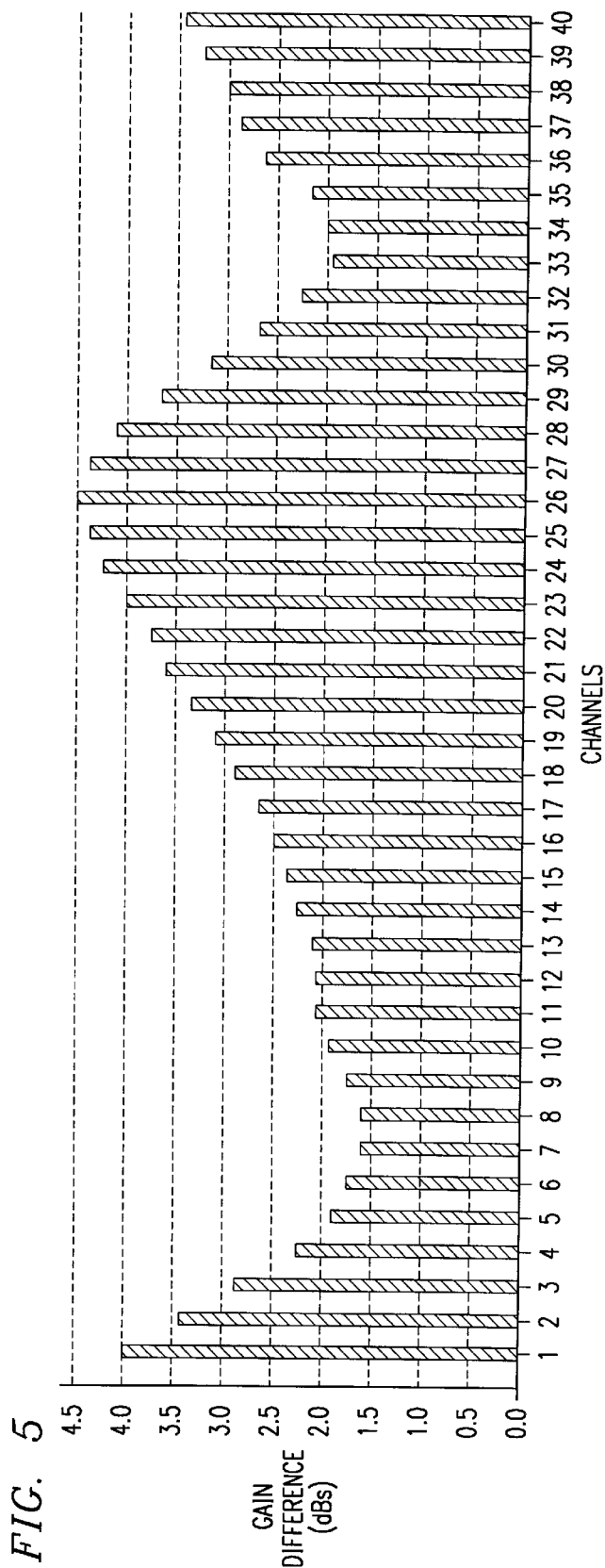


FIG. 5

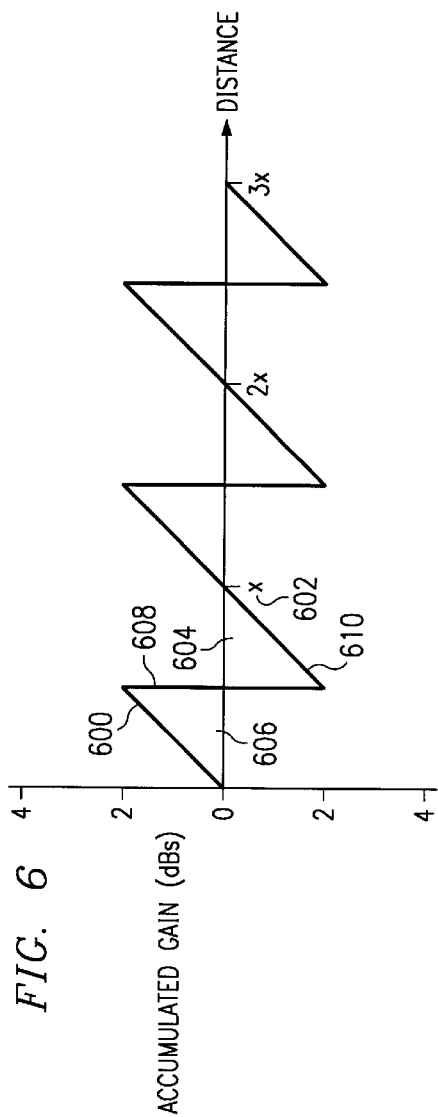
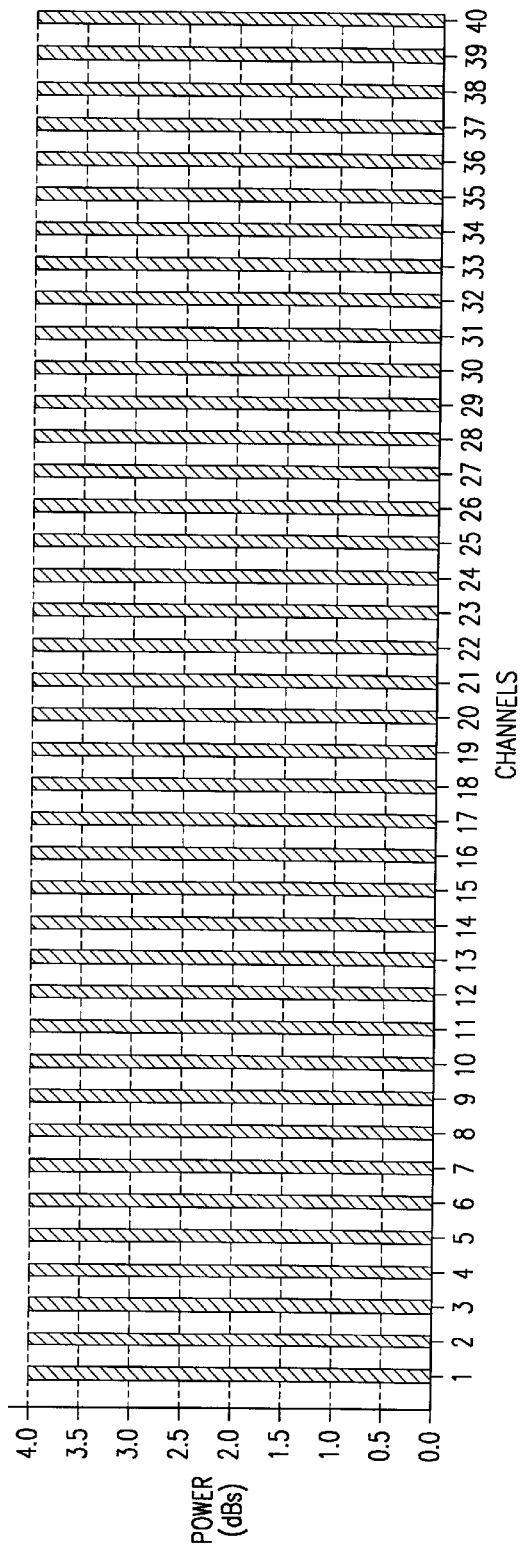


FIG. 7



1

GAIN EQUALIZATION SYSTEM AND METHOD**CROSS-REFERENCE TO RELATED APPLICATIONS**

Not Applicable.

STATEMENT REGARDING FEDERALLY SPONSORED RESEARCH/DEVELOPMENT

Not Applicable

FIELD OF THE INVENTION

This invention relates to an equalization system, and more particularly, to a system for use in an optical network to correct for unequal gain of power in the channels of the optical signal.

BACKGROUND OF THE INVENTION

The transmission, routing and dissemination of information has occurred over computer networks for many years via standard electronic communication lines. These communication lines are effective, but place limits on the amount of information being transmitted and the speed of the transmission. With the advent of light-wave technology, a large amount of information is capable of being transmitted, routed and disseminated across great distances at a high transmission rate over fiber optic communication lines.

When information is transmitted over fiber optic communication lines, impairments to the pulse of light carrying the information can occur, including pulse broadening (dispersion) and attenuation (energy loss). In-line amplifiers spaced throughout the fiber optic communication system boosts the power of each channel of the optical signal to assist in the compensation of the energy lost during transmission. The in-line amplifiers boost each channel of the optical signal with the same amount of power. However, as different wave lengths of light are used over the different channels of the fiber optic communication system, the amount of energy lost per channel is not consistent. As the in-line amplifier boosts the energy across all channels of the optical signal transmitted over the fiber optic communication system, the power gain of any specific channel may fail to meet or exceed the desired power gain. Further, energy loss caused by polarization dependent loss (PDL) lead to further nonuniform power gain over the multiple channels of the optical signal transmitted over the fiber optic communication system.

As the optical signal is transmitted across the fiber optic communication system, the gain differences on a channel-by-channel basis accumulate. These gain differences can cause distortions of the optical signal shape and therefore lead to performance degradation. Current systems allow for the optical signals' power deviations to accumulate before they are compensated by the gain equalizer after analysis by the optical spectrum analyzer ("OSA"). Inherent in these systems is a process which allows a large amount of gain differences to accumulate prior to equalization. Prior to the gain equalization of the channels of the optical signal, the optical signal performance begins to degrade and thus the overall performance of the fiber optic communications system is degraded.

To compensate for gain differences in the multiple channels of the optical signal, gain equalizers are provided, spaced periodically, throughout the fiber optic communi-

2

tion lines (see FIG. 1). The gain equalizers equalize the power at the in-line amplifiers on a channel-by-channel basis throughout the optical signal. To determine the amount of gain on a channel-by-channel basis, an optical spectrum analyzer is co-located with the gain equalizer. The Optical analyzer measures the power level associated with each channel of the optical signal and compares this power level with the desired power level for each channel and provides this information to the gain equalizer which is co-located with the Optical spectrum analyzer at an in-line amplifier within the fiber optic communication system. The gain equalizer then equalizes the power of each channel based upon the analysis performed by the Optical spectrum analyzer at this in-line amplifier location. As can be seen in FIG. 2, the gain equalizer zeroes out the gain differences throughout the channels at the point in the fiber optic communication system where the gain equalizer and Optical spectrum analyzer are located. Therefore, any advancement in the ability to lower the amount of gain difference accumulated during the transmission of information over a fiber optic communication system would be advantageous.

SUMMARY OF THE INVENTION

A power equalization system and method for use in an optical transmission system are provided. The power equalization system includes an optical line including at least one transmission channel and a management line. The transmission system further includes a plurality of amplifiers, a plurality of Optical spectrum analyzers and a plurality of equalizers. The plurality of amplifiers are coupled to the optical line, spaced periodically throughout the optical transmission system. As information is sent through the optical transmission system, the plurality of amplifiers boost the power of each channel of the optical signal. A plurality of Optical spectrum analyzers are also coupled to the optical line and are spaced periodically throughout the optical transmission system and are co-located with a first portion of the amplifiers coupled to the optical line. A plurality of equalizers are also coupled to the optical line and are spaced periodically throughout the optical transmission system and equalize the power on each channel of the optical line. The plurality of equalizers are co-located with a second portion of the plurality of amplifiers and at least one of the plurality of Optical spectrum analyzers is not co-located with one of the plurality of equalizers. Thus, as the optical information is transmitted over the optical transmission system, the Optical spectrum analyzers provide analysis data via the management line to the non co-located equalizers for use by the equalizers in equalizing the power of the channels of the optical line at that point. The analysis data generated by the Optical spectrum analyzer identifies the analysis data at the point of the Optical spectrum analyzer which is not co-located with the equalizer.

DETAILED DESCRIPTION OF THE DRAWINGS

A better understanding of the invention can be obtained from the following detailed description of one exemplary embodiment as considered in conjunction with the following drawings in which:

FIG. 1 is a block diagram depicting an optical transmission system according to the prior art;

FIG. 2 is a graphical representation of the accumulated gain of an optical signal being transmitted over an optical transmission system according to the prior art;

FIG. 3 is a graphical representation of the loss per kilometer of different wavelengths of an optical signal transmitted through an optical transmission system;

FIG. 4 is a block diagram depicting the optical transmission system according to the present invention;

FIG. 5 is a graphical representation of the optical spectrum analysis of the gain per channel of an optical signal transmitted over the optical transmission system according to the present invention;

FIG. 6 is a graphical representation of the accumulated gain per channel of an optical signal transmitted across the optical transmission system according to the present invention; and

FIG. 7 is a graphical representation of the accumulated gain per channel of the optical signal after the gain equalization has occurred according to the optical transmission system according to the present invention.

DETAILED DESCRIPTION OF EXEMPLARY EMBODIMENTS

In the descriptions which follow, like parts are marked throughout the specification and drawings with the same numerals, respectively. The drawing figures are not necessarily drawn to scale and certain figures may be shown in exaggerated or generalized form in the interest of clarity and conciseness.

In an optical transmission system, the optical signal is transmitted over an optical line. In certain optical transmission systems, including dense wavelength division multiplexed systems (DWDM systems), the optical signal that is transmitted includes multiple channels where each channel of the optical signal is transmitted at a different wavelength. As originally transmitted, the optical signal does not contain enough energy to complete a long haul or ultra long haul transmission, therefore, the optical signal must be amplified periodically throughout the optical line. The amplifiers are used to replace energy loss due to attenuation with an equal amount of replacement energy per wavelength (or per channel) in the optical signal. There are multiple wavelengths or channels in each optical signal transmitted over the optical transmission system. In one disclosed embodiment, forty wavelengths are capable of being transmitted through one optical signal. As the amount of power attenuation varies among the channels of the optical signal, some channels experience an excessive amount of gain caused by the amplifier, some experience the correct amount of gain and some experience too little gain. These gain differences experienced by different channels of the optical signal are accumulated and are caused by the wavelength profile of the amplifiers or by effects such as polarization dependent loss (PDL) in the various components located in the optical system. The losses per wavelength are not perfectly flat. The amount of energy lost between any two points along the optical network will typically remain nearly constant if the lost power is caused by the amplification of the amplifiers. A random gain deviation can be experienced intermittently and is typically not consistent.

In a conventional optical networks **100**, as can be seen in FIG. 1, gain deviation is corrected through the use of optical spectrum analyzers **108** and dynamic gain equalizers **110**. The conventional optical network **100** includes terminals **102** and **104**. The terminals **102** and **104** connect the remaining conventional optical network **100**, which is typically a dense wavelength division multiplexed (DWDM) network to the local optical network (not shown). The terminal **102** receives an optical signal from the local optical network and transmits this optical signal across the conventional optical network **100** to terminal **104**. For the sake of illustration, the conventional optical network **100** is shown

operating in only one direction; however, it is well known to those skilled in the art that an optical network can function bi-directionally.

The optical signal **101** is typically comprised of twenty to forty channels. Each channel of the optical signal **101** is a separate wavelength of the optical signal. The optical signal **101** is typically transmitted in wavelengths between 1530 and 1610 nm. As the optical signal **101** is transmitted from the terminal **102** over the optical network **100**, the optical signal **101** begins to experience attenuation or power loss. Therefore, an in-line amplifier **106** is provided at fixed intervals to boost the power of the optical signal **101**.

The in-line amplifier **106** boosts the power of the optical signal **101** according to a predetermined value or according to a value that can be adjusted during operation. The In-line amplifier **106** boosts the power of the optical signal **101** across every channel, applying the same power boost to every channel regardless of the channels current power level. Therefore, as gain differences are experienced in the multiple channels of the optical signal **101**, these gain differences are accumulated through the amplification of the optical signal **101** from the In-line amplifiers **106**. As the optical signal **101** is transmitted from In-line amplifier **106a** to In-line amplifier **106b**, the optical signal **101** experiences attenuation and again must be amplified.

However, prior to amplification at In-line amplifier **106b**, an optical spectrum analyzer **108a** evaluates each channel of the optical signal **101** to determine its current power deviation from the expected value. The optical signal analyzer **108a** then transmits this power or gain deviation information to a dynamic gain equalizer **110a** which then adjusts the optical signal **101** on a channel-by-channel basis to optimize the power in each channel. Thus, any differences in gain accumulated through the transmission of the optical signal **101** because of random gain or through amplification by the In-line amplifiers **106** are corrected based upon the evaluation of the Optical spectrum analyzer **108a** and implemented by the Dynamic gain equalizer **110a**.

The process repeats as the optical signal **101** is transmitted through In-line amplifiers **106c**, **106d**, **106e**, **106f** and **106g**. The optical signal **101** is analyzed by the optical spectrum analyzers **108b** and **108c** once the signal reaches In-line amplifiers **106d**. The optical spectrum analyzer **108b** and **108c** identify any gain differences on a channel-by-channel basis of the optical signal **101** before transmitting these gain differences to the dynamic gain equalizers **110b** and **110c**. The dynamic gain equalizers **110b** and **110c** then correct for gain differences accumulated, regardless if the gain differences are caused by the In-line amplifiers **106** or through polarization dependent loss.

The number of In-line amplifiers **106** is determined based upon the distance the conventional optical network **100** must cover. Thus, whether the conventional optical network **100** is a long haul or ultra long haul optical network, the frequency in quantity of In-line amplifiers **106** must be determined. Further, the fiber characteristics, the characteristics of the amplifiers, and characteristics of the power necessary for the optical signal **101** determine the quantity of amplifiers **106** needed throughout the conventional optical network **100** and also determine the quantity of analyzers **108** and equalizers **110** necessary in the conventional optical network **100**. Therefore, the optical spectrum analyzer **108** and the dynamic gain equalizers **110** may only repeat every nth In-line amplifier **106** where n will be determined based upon the characteristics described above. In the example shown in FIG. 1, the Optical spectrum analyzers **108** and the

dynamic gain equalizers **110** are provided at every two In-line amplifiers **106**. However, the frequency could be increased or decreased based upon need of the system.

One constant of the conventional optical network **100** is that the Optical spectrum analyzer **108** and the dynamic gain equalizer **110** are co-located at the same in-line amplifier **106**. Therefore, the analysis and equalization of the optical signal **101** occurs at one specific point in the optical network and is typically located at an in-line amplifier **106** site.

Turning to FIG. 2, a graph, according to the prior art, of the accumulated gain of an exemplary channel of the optical signal versus a distance is shown. The graph of FIG. 2 illustrates an exemplary channel of the optical signal **101**; graphs of other channels of the optical signal **101** may form different slopes, however, the graph of accumulated gain versus distance of all channels of the optical signal **101** will have a common element of reducing the accumulated gain to zero at a specific distance. The graph of FIG. 2 demonstrates that at every distance x , the accumulated gain of an exemplary channel of the optical signal **101** is reduced to zero. Therefore, referring to the embodiment shown in FIG. 1, the distance x would represent the distance between three in-line amplifiers, for example In-line amplifiers **106b**–**106d**. As can be seen from the graph of FIG. 2, the gain of one channel of the optical signal **101** is linear over distance. Therefore, as is seen in FIG. 2, the gain of the exemplary channel of the optical signal **101** increases two decibels through every span where the span equals the distance between two adjacent in-line amplifiers **106**. The linear line **200** represents the total gain of the exemplary channel of the optical signal **101** between equalization points, which is represented as distance x . Thus, the gain of the channel equals four decibels over this span. The distance x **204** is the distance between two in-line amplifiers **106**, for example the distance between In-line amplifier **106b** and In-line amplifier **106d**.

As the gain increases on any channel of the optical signal **101**, the integrity of the signal is reduced. Therefore, the greater the area defined by the triangle formed by lines **200**, **204** and **206** the greater the accumulated gain **202** and the greater the distortion of the optical signal **101**. The graph of FIG. 2 is exemplary of the accumulated gain caused by the effect of the In-line amplifiers **106** providing a constant power boost across the multiple channels of the optical signal **101**, and for illustrative purposes does not represent any gain caused by polarization dependent loss or any other random gain accumulation. However, one skilled in the art would recognize that the graphical representation of the accumulated gain versus the distance may be shown with varying accumulated gain over specific distances or may be shown with a non-linear curve representing the accumulated gain over a specific distance.

Referring now to FIG. 3, a graphical representation of the amount of loss attributed to wavelengths commonly implemented in optical transmission systems decibels (dBs) is shown. A curve **304** is shown in FIG. 3 representing the loss in dBs per kilometer versus the specific wavelengths of the channels of the optical signal transmitted over an optical network. The curve **304** is non-linear and represents the varying amount of loss experienced by specific channels of an optical signal as it is transmitted over the optical network. Thus, in the C-band range **300**, the amount of loss decreases generally as the wavelength is increased from 1530 to 1560 nms. However, as the wavelength increases from 1570 to 1610 nms in the L-band range **302**, the loss begins to generally increase. Therefore when a constant power boost is applied by an In-line amplifier to all channels of the optical signal, where each channel is comprised of a differ-

ent wavelength, the amount of gain per channel is not uniform and gain differences are propagated through the optical network.

Referring now to FIG. 4, an exemplary embodiment of an optical network according to the present invention is shown. Terminals **400** and **402** are provided and connect the optical network **401** to local optical networks (not shown). An optical signal **403** is transmitted from the terminal **400** along an optical line **410**. For illustrative purposes only, the optical network **401** is shown in a unidirectional manner. However, both of terminals **400** and **402** can act as transmission and/or receiving terminals and it is expected that the optical network **401** can be implemented as a bi-directional optical network allowing the transmission of optical signals from either terminal **400** or terminal **402**.

After a predetermined distance, an in-line amplifier **404** is connected to the optical line **410**. The repeating predetermined distance of the in-line amplifier **404** is determined as discussed previously. In one embodiment of the invention, erbium-doped fiber amplifiers are implemented as the in-line amplifiers **404**, however, a wide range of amplifiers can be implemented without detracting from the spirit of the invention. Once the optical signal **403** travels across this predetermined distance, the In-line amplifier **404a** boosts the power of each channel of the optical signal **403**. In one embodiment, at start up of the optical network **401**, the in-line amplifiers **404** do not initially boost the optical signal **403** as the optical signal **403** is transmitted along the optical network **401** as no prior analysis of the optical signal **403** has been completed. An optical spectrum analyzer **406** located within the optical system **401** analyzes the optical signal **403** to determine the amount of energy loss experienced by the optical signal **403** through transmission over the optical network **401**. The optical spectrum analyzer **406** then transmits this analysis data to the in-line amplifiers **404** and commands the in-line amplifiers **404** to boost the channels of the optical signal **403** by an amount necessary to maintain a constant power level of the optical signal **403** across the optical network **401**. This fine tuning of the optical network **401** occurs when the optical network is initially initiated, however, the optical spectrum analyzer **406** continuously monitors the strength of the optical signal **403** and can periodically direct a modification to the amounts of power boosted by a specific In-line amplifier **404** during continuous use of the optical network **401** to correct this gain tilt. In another exemplary embodiment the in-line amplifiers' **404** output power is monitored by each in-line amplifier. This self-monitoring allows for the average power out of each in-line amplifier **404** to remain approximately constant. As an additional step to the self-monitoring, a measurement at the Optical spectrum analyzer **406** determines the need for fine tuning of the in-line amplifiers **404** output power/average gain of the in-line amplifier **404**.

When the optical signal **403** has its power boosted by the In-line amplifier **404a**, each channel of the optical signal **403** has the power boosted with a consistent amount from the In-line amplifier **404a**. In one disclosed embodiment there are forty channels present in the optical signal **403**. All forty channels of the optical signal **403** are boosted by the same power level from the In-line amplifier **404a**. As was disclosed with FIG. 3, the power loss per channel varies according to the wavelength of that particular channel. Therefore, the per channel loss varies and the gain difference is amplified and propagated by the In-line amplifier **404a** as it is transmitted from In-line amplifier **404a** to In-line amplifier **404b**. Once the optical signal is received by the In-line amplifier **404b**, the optical signal **403** is again

boosted on a channel-by-channel basis by the In-line amplifier **404b**. However, prior to the optical signal **403** being transmitted to the In-line amplifier **404c**, the Optical spectrum analyzer **406a** analyzes the optical signal **403** on a channel-by-channel basis to determine the accumulated gain difference from the expected or optimal power level for each channel.

The optical spectrum analyzer **406** also determines the power boost to correct gain tilt propagated by the In-line amplifiers **404** by averaging the power level of all channels and then applying a boost so that the average level of all channels equals the pre-determined power level of the optical signal **403** and further determines the accumulated gain or loss on a channel-by-channel basis of the power level as compared to the pre-determined optimal power level. The optical spectrum analyzer **406** transmits the power boost data to the in-line amplifiers **404** over line **414** via an optical supervising channel **412**. Once the Optical spectrum analyzer **406a** determines the amount of gain differential for each channel of the optical signal **403**, the optical signal analyzer **406a** transmits these gain differentials to the dynamic gain equalizer **408** over line **418** via an optical supervising channel **412**. The optical supervising channel **412** is a management channel and supervisory information is transmitted via this ethernet channel at 100 megabits to 1 gigabit. The rates of transmission of information over the optical supervising channel **412** may vary without detracting from the spirit and scope of the invention. In another embodiment, the management or supervisory channel can be implemented as a public telephone network or Internet line without detracting from the spirit of the invention. The transmission of management or supervisory information over the management or supervisory channel does not require the use of fiber and is not necessarily one of the wavelength channels of the optical line **410**. In one disclosed embodiment, the management and supervisory channel are implemented as the optical supervising channel **412** which transmits management supervisory information optically to the devices connected within the optical network **401**. The Optical spectrum analyzer **406a** transmits the gain differentials of each channel of the optical signal **403** to the dynamic gain equalizer **408a** which is co-located with in-line amplifier **404a**. The dynamic gain equalizer **408a** receives the gain differentials transmitted by the Optical spectrum analyzer **406a** through the optical supervising channel **412** over communication line **416**. The dynamic gain equalizer **408a** and the Optical spectrum analyzer **406a** are not co-located with the same in-line amplifier **404**. The dynamic gain equalizer **408a** is located at a point between Optical spectrum analyzers **406** or between the transmitting terminal **400** and the first Optical spectrum analyzer **406a**. Therefore, the dynamic gain equalizer **408a** corrects the optical signal **403** at the first In-line amplifier **404a** based upon the signal deviation present at the Optical spectrum analyzer **406a** located at In-line amplifier **404b**. This methodology is repeated for dynamic gain equalizers **408b**, **408c** and optical spectrum analyzers **406b** and **406c**. Thus, the optical signal **403** is modified at in-line amplifier **404c** by the dynamic gain equalizer **408b** based upon information transmitted to the dynamic gain equalizer **408b** by the optical spectrum analyzer **408b** based upon information transmitted to the dynamic gain equalizer **408b** by the optical spectrum analyzer **406b** located with in-line amplifier **404d**. The dynamic gain equalizer **408c** modifies the optical signal **403** at in-line amplifier **404e** based upon data transmitted from the optical spectrum analyzer **408c** located with in-line amplifier **404f**. Therefore, the dynamic gain equalizer **408** correct the opti-

cal signal **403** at one subset of in-line amplifiers **404** based upon the signal deviation analyzed at the optical spectrum analyzer **406** located at a second subset of in-line amplifiers **404**.

In one embodiment, the dynamic gain equalizer **408** and the Optical spectrum analyzer **406** are spaced evenly throughout the optical network **401**. The dynamic gain equalizer **408** are placed approximately in the center between two adjacent Optical spectrum analyzers **406**. The dynamic gain equalizer **408** closest to the transmitting terminal **400** is placed approximately in the center between the transmitting terminal **400** and the first Optical spectrum analyzer **406a**. A wide variety of alignment schemes can be implemented without detracting from the spirit of the invention as long as at least one dynamic gain equalizer is not co-located with one Optical spectrum analyzer. In one embodiment, the control of the optical supervisory channel **412** is implemented through the use of a token which is transmitted to each device throughout the optical network **401**. For example, when the Optical spectrum analyzer **406a** has the token, that Optical spectrum analyzer **406a** controls the gain tuning of the optical network **401** and can then transmit amplification and gain differential information to the in-line amplifiers **404a** and **404b** and the dynamic gain equalizers **408a**. Once this information has been transmitted and the in-line amplifiers **404a** and **404b** and the Dynamic gain equalizer **408a** adjust the power appropriately, the Optical spectrum analyzer **406a** sends the token downstream of the optical spectrum network **401**, allowing another device to transmit the optical supervisory channel **412**. The Optical spectrum analyzers **406a**, in one embodiment, are in communication with the in-line amplifiers **404** and dynamic gain equalizers **408** which are located prior to the Optical spectrum analyzer **406**. Thus, each Optical spectrum analyzer **406** maintains communication with the dynamic gain equalizer **408** and the in-line amplifiers **404** that are immediately preceding it and are not in communication with any other Optical spectrum analyzers **406**. However, optional communication and control schemes are available and can be implemented without detracting from the spirit of the invention.

Referring now to FIGS. 4, 5, 6 and 7, the optical signal manipulation according to the present invention are shown. In FIG. 5, a graphical representation of a typical optical spectrum analysis conducted by the Optical spectrum analyzer **406** is shown. As expected, the gain difference varies from channel to channel and extends to approximately 1.5 dB's for channels 7 and 8 to 4.5 dB's for channel 26. Thus, depending upon the wavelength selected for each channel, the gain difference varies from channel to channel. The Optical spectrum analyzer **406** uses this information to determine the average gain difference of the optical signal from the pre-determined optical level and uses this information to adjust the power boost level of the In-line amplifiers **404** and then the Optical spectrum analyzer **406** determines on a channel-by-channel basis the amount of gain (or loss) necessary for each channel so that each channel's power equals the desired or optimal power level. This information is then transmitted from the Optical spectrum analyzer **406a** to the Dynamic gain equalizer **408a** through the optical supervising channel **412**. The dynamic gain equalizer **408a** then modifies the optical signal **403** at the In-line amplifier **404a** on a channel-by-channel basis to compensate for the total amount of gain (or loss) that will be accumulated once the signal reaches the Optical spectrum analyzer **406a** at the In-line amplifier **404b**. The dynamic gain equalizer **408a** adjusts the power associated with each

channel of the optical signal 403 so the accumulated gain is zero once the optical signal 403 reaches the In-line amplifier 404b. To accomplish this task, the dynamic gain equalizer 408a must adjust the power associated with each channel of the optical signal 403 below the accumulated gain of zero. This can be seen in FIG. 6 which graphically represents the accumulated gain versus distance over an exemplary single channel of the optical signal 403 as it is transmitted over the optical network 401. For the exemplary channel of the optical signal 403, the accumulated gain caused by the loss differences propagated through the amplifiers 404 is shown as a linear gain over distance. The amount of gain for an exemplary channel of the optical signal 403 increases 2 dB's from the terminal to the first in-line amplifier 404a. The optical signal 403 on a channel-by-channel basis is then equalized by the dynamic gain equalizer 408a based upon the information received from the optical spectrum analyzer 406a. Therefore, in this example, the accumulated gain according to the spectrum analyzer 406a for this channel was a 4 dB accumulation. The dynamic gain equalizer 408a adjusts this channel with a 4 db difference so the channel possesses the proper power level when the signal reaches the Optical spectrum analyzer 406a. When the dynamic gain equalizer 408a modifies this channel of the optical signal 403 at the in-line amplifier 404 location, the accumulated gain of this channel of the optical signal 403 is a negative 2 dBs. This equalization is demonstrated by line 608. As the optical signal 403a is transmitted from the in-line amplifier 404a to the in-line amplifier 404b, the accumulated gain continues to increase a constant amount until it reaches point x 602 which corresponds with the in-line amplifier 404b. As expected, the accumulated gain of this channel at the Optical spectrum analyzer 406a, which is co-located with the in-line amplifier 404b at distance x 602, is zero. The dynamic gain equalizer 408a remembers, through the use of a memory mechanism located at the dynamic gain equalizer 408a, the amount of gain difference per channel that the dynamic gain equalizer 408c has received from the Optical spectrum analyzer 406a. The Optical spectrum analyzer 406a at distance x 602 again analyzes the optical signal 403 on a channel-by-channel basis to determine if the pre-equalized values do indeed correctly compensate the optical signal 403. If the accumulated gain of any channel is not zero, then the Optical spectrum analyzer 406a transmits this information via the optical supervisory channel 412 to the dynamic gain equalizer 408a to direct the dynamic gain equalizer 408a to adjust the amount of gain equalization to those specific non-zero channels.

It should be noted that during start-up procedures, the integrity of the optical signal 403 is not maintained until a series of adjustments are performed on the optical signal 403. Therefore, there will be a period of time upon the start-up of the transmission of the optical network 401 in which the data transmitted over the optical signal 403 will be invalid. However, once the integrity of the optical signal 403 is established, then the process described above continues to modify the amount of gain equalization necessary over time.

A benefit of the present invention occurs because the pre-emphasis of the gain equalization ensures that the average power over the n spans, where n equals the number of in-line amplifiers 404 for each channel of the dense wavelength division multiplexed system, is the expected or optimal power level. Further, the effects of random wavelength losses, as well as time varying polarization dependent losses are reduced by a factor of 2 compared to the conventional approach. This improvement allows for twice as large component tolerances or with the same component parameters

induces only half the penalty on the system margin. This improvement is demonstrated by the area formed by triangles outlined by lines 600, 608 and the distance $\frac{1}{2}x$ which define area 606. Area 606 plus area 604 (a negative value) are approximately zero. The system distortion from the fixed gain deviation has been nearly eliminated. Thus, when compared to area 202 of the prior art, a large benefit is realized. As the accumulated gain remains closer to zero (-2 dBs to 2 dBs) without straying as far as -4 dBs to 4 dBs in the conventional systems, the overall integrity of the optical signal 403 is increased.

FIG. 7 shows the gain difference power level in dB's of the channels of the optical signal 403 at the point of the optical spectral analyzer 406 in the optical network 401. Thus, the gain differential in dB's per channel of the optical signal 403 is constant is a constant zero. By having an average power deviation of zero, as is obtained in the embodiment disclosed in FIG. 4 through FIG. 7, the distortions of the optical signal pulse shape are greatly reduced.

The foregoing disclosure and description of the invention are illustrative and explanatory thereof of various changes to the size, shape, materials, components and order may be made without departing from the spirit of the invention.

What is claimed is:

1. A power equalization system for use in an optical transmission system, the system comprising:
 - an optical line, wherein the optical line includes at least one transmission channel;
 - a plurality of amplifiers coupled to the optical line, wherein the amplifiers are spaced periodically throughout the optical line;
 - a plurality of Optical spectrum analyzers coupled to the optical line, wherein the Optical spectrum analyzers are spaced periodically throughout the optical line and wherein the Optical spectrum analyzers generate analysis data; and
 - a plurality of equalizers coupled to the optical line, wherein the equalizers are spaced periodically throughout the optical line and wherein the equalizers equalize the power on the channels;
 - a management line for transmitting management data coupled to the pluralities of amplifiers, Optical spectrum analyzers and equalizers;
 wherein the plurality of Optical spectrum analyzers are collocated with a portion of the plurality of amplifiers and wherein the plurality of equalizers are collocated with a second portion of the plurality of amplifiers and wherein at least one of the plurality of Optical spectrum analyzers is not collocated with the plurality of equalizers; and
 - whereby analysis data generated by the Optical spectrum analyzers is transmitted via the management channel to the equalizers for use by the equalizers in equalizing the power of the channels of the optical line.
2. The system of claim 1, wherein the amplifiers include in-line amplifiers.
3. The system of claim 1, wherein the equalizers equalize the power of each channel individually.
4. The system of claim 1, wherein the equalizers include dynamic gain equalizers.
5. The system of claim 1, wherein the analysis data transmitted by the Optical spectrum analyzer is transmitted upstream.
6. The system of claim 1 wherein the plurality of amplifiers include:
 - a plurality of erbium-doped fiber amplifiers coupled to the optical line and the management line, wherein the

11

erbium-doped fiber amplifiers adjust the power of the optical line to counteract gain tilt;

whereby the erbium-doped fiber amplifiers counteract gain tilt through the adjustment of the power of all channels collectively at the amplifiers.

7. The system of claim 6, wherein the plurality of erbium-doped fiber amplifiers adjust the power of the optical line to counteract the gain tilt from Stimulated Raman Scattering.

8. The system of claim 6, wherein the plurality of erbium-doped fiber amplifiers adjust the power of the optical line to counteract the gain tilt from non-uniform fiber loss.

9. The system of claim 6, wherein the plurality of erbium-doped fiber amplifiers adjust the power of the optical line to counter act gain tilt based upon the analysis data transmitted via the management line.

10. The system of claim 1, wherein the plurality of equalizers equalize the power on the channels so the average power over a periodic spacing is zero.

11. The system of claim 1, wherein the management line includes an optical supervisory channel.

12. The system of claim 11, wherein the optical supervisory channel includes one of the transmission channels of the optical line.

13. The system of claim 1, wherein the management channel includes a public telephone network.

14. The system of claim 1, wherein the management channel includes the Internet.

15. A method of gain equalization of an optical transmission system, the method comprising the steps of:

transmitting an optical signal over at least one optical channel of the optical transmission system;

transmitting a management signal over a management line of the optical transmission system;

amplifying the optical signal at predetermined positions in the optical transmission system;

analyzing the optical signal at a first portion of the predetermined amplifying positions;

determining an optical spectrum gain from the optical signal analysis;

transmitting an optical spectrum gain signal including the optical spectrum gain to an equalizer; and

12

equalizing the optical signal based upon the received optical spectrum gain at a second portion of the predetermined amplifying positions;

wherein at least one position of the first portion of predetermined amplifying positions is not collocated with a predetermined amplifying position of the second portion.

16. The method of claim 15, wherein step of transmitting an optical signal over at least one optical channel includes transmitting optical signals over a plurality of optical channels.

17. The method of claim 16, wherein the steps of analyzing the optical signal and determining the optical spectrum gain includes analyzing each optical signal channel and determining the optical spectrum gain for each optical signal channel.

18. The method of claim 17, wherein the step of equalizing the optical signal includes equalizing each channel of the optical signal based upon the optical spectrum gain of each channel.

19. The method of claim 15, wherein the optical spectrum gain average over a predetermined span is zero.

20. The method of claim 15, wherein the equalizing of the optical signal includes dynamic gain equalization.

21. The method of claim 15, wherein the transmission of the optical spectrum gain signal is upstream.

22. The method of claim 15 further comprising: determining an amount of gain tilt in the optical signal based upon the optical signal analysis;

transmitting a gain tilt signal including the amount of gain tilt of the optical signal to an erbium-doped fiber amplifiers;

adjusting the power of the optical signal with the erbium-doped fiber amplifiers based upon the amount of gain tilt, wherein the erbium-doped fiber amplifiers counteract gain tilt through the adjustment of the power of all channels collectively at the amplifiers.

* * * * *